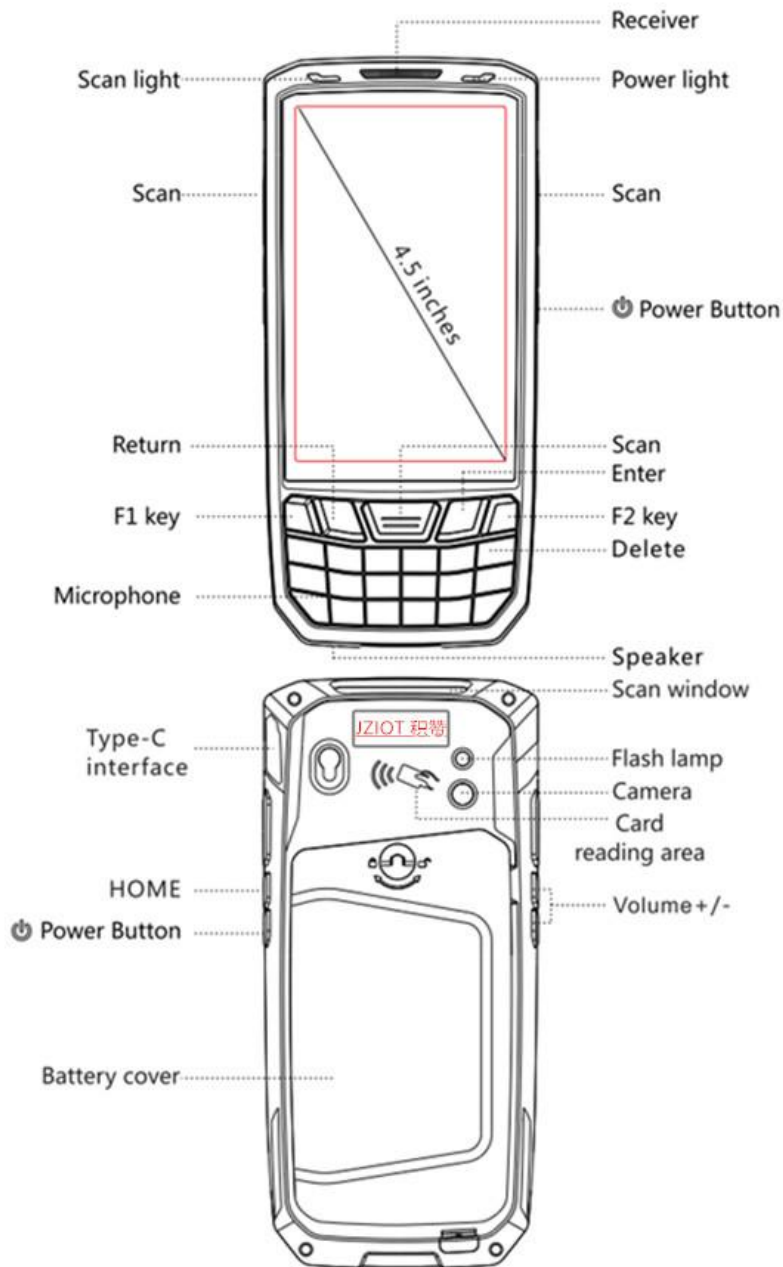


# V80 QUICK GUIDE

## 1.

### OVERVIEW

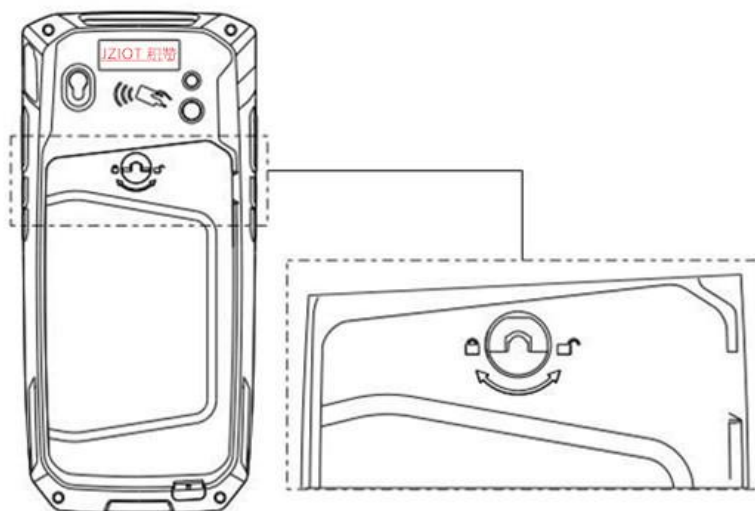
---



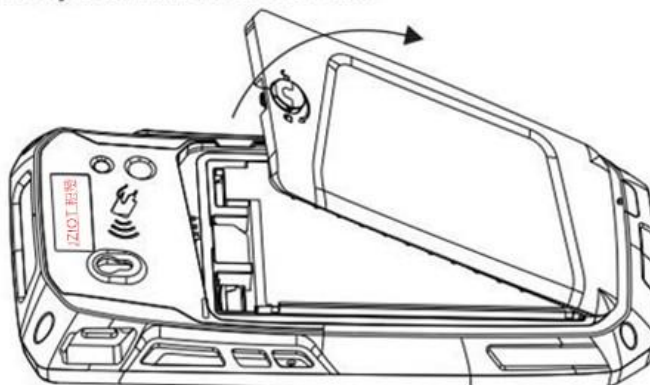
## 2. OPEN THE BATTERY COVER

---

1. First, push the battery cover bayonet to the right to the parallel direction;



2. Pull out the battery cover by using the hand position between the battery cover and the bottom case.

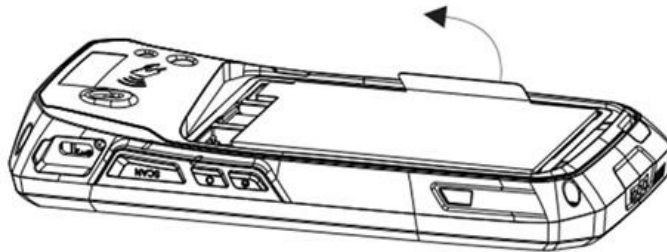


### 3.

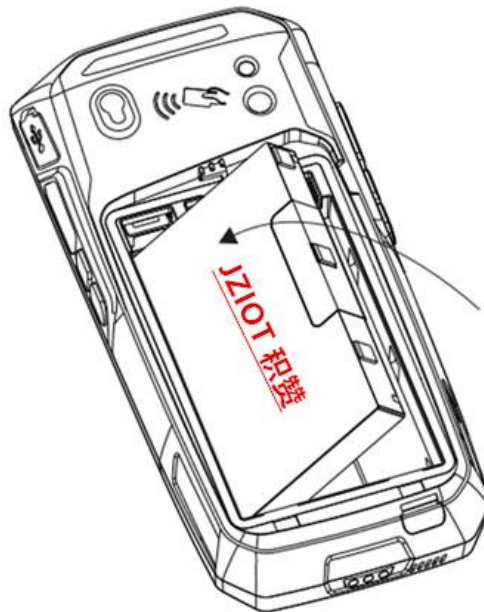
#### REMOVABLE BATTERY

---

1. First lift the strap on the battery;



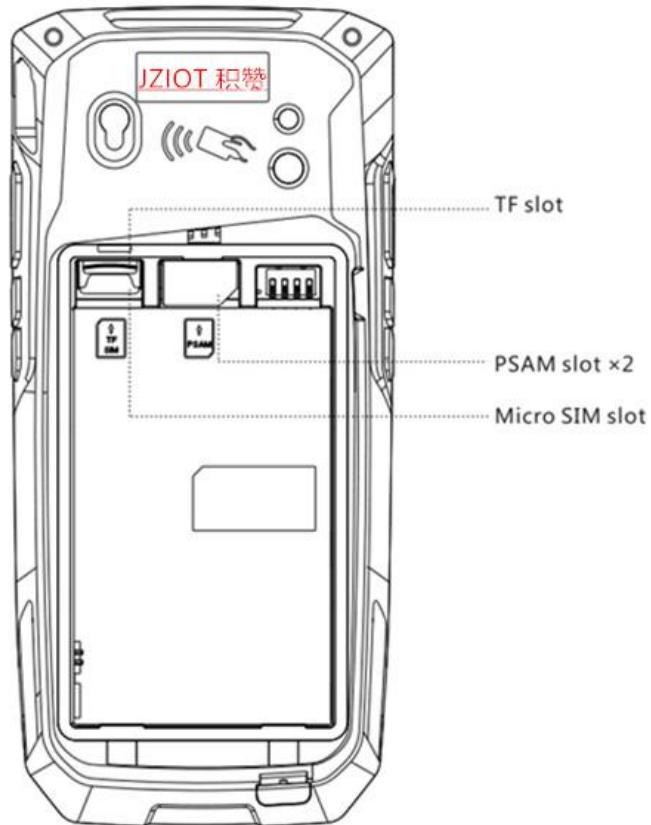
2. then pull the battery belt to take the battery off on 45° obliquely upward.



## 4.

### INSTALL TF/SIM CARD

1. Pls insert the SIM card into the corresponding slots as shown in the figure below



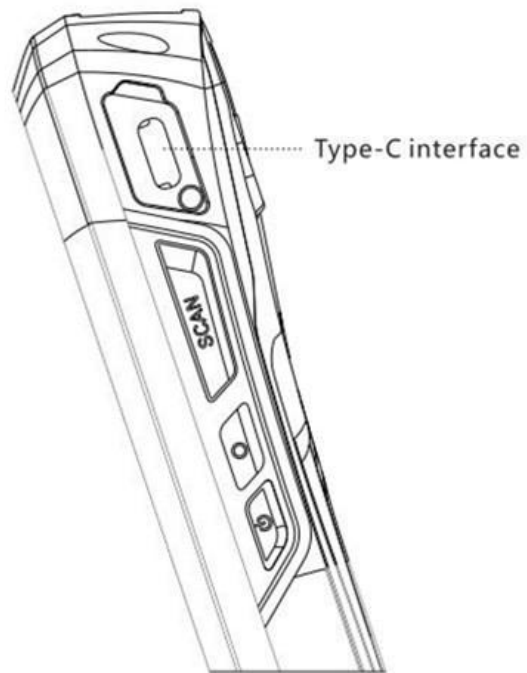
(Pls note: The handheld terminal is only support Micro SIM card, standard SIM card slot is for PSAM card)

## 5. EQUIPMENT CHARGING

---

### DEVICE CHARGING:

1. Pull out the waterproof USB plug on the right side with the Type-C USB cable that comes with the device. Insert the Type-C USB cable.



# 6.

## SCAN (OPTIONAL)

IF YOUR PDA WITH SCAN FUNCTION, PLS OPERATE AS BELOW:

- 1:Pls find the "scanner" app, and open it.( As Pic 1)
- 2: In the interface of scan, press scan button to scan the barcode.



(As Pic 1)



(As Pic 1)



# 7.

## NFC (OPTIONAL)

IF YOUR PDA WITH NFC FUNCTION, PLS OPERATE AS BELOW:

1:Pls find the “NFC” app, and open it.( As Pic 1)

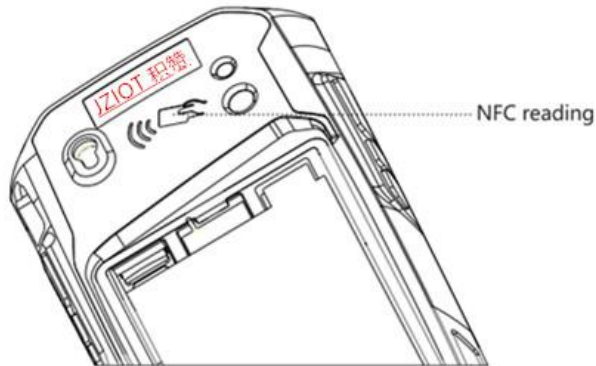
2: In the interface of NFC, pls read the card by NFC reading area.



(As Pic 1)



(As Pic 2)



(Pls note: NFC function is optional function, before use this function, you should make sure your PDA with NFC function)

## 8.

### OTA(UPDATE ONLINE)

---

OUR PDA SUPPORT OTA (UPDATE ONLINE) FUNCTION, YOU CAN UPDATE THE LATEST FIRMWARE BY OTA, OPERATE IT AS BELOW:

- 1:Pls enter into” Settings” —About phone.
- 2: Press “System update” and enter into the updating firmware interface.
- 3: Press “Check now “to update the OS.



( As Pic 1)



( As Pic 2)



## 9.

### FAQ:

---

#### 1: Why can not open the PDA?

(1) Pressing the power button need about 4s, so pls press the power button until the screen showing contents.

(2) Pls check the if the battery have power, put the battery to PDA and charge it, if the screen shows charging icon, charge the PDA for some time and restart it.

#### 2: PDA can not connect to PC?

If you connect the PDA with your PC, no prompt messages, pls change another cable to test, if not work, pls change another PC.

#### 3:When use scanner, there is no data but scan-light on, why?

1: Go to scan setting, and check "keyboard output"

2: If checked, then pls reset the scan demo for twice, and operate " off" - "ON" .

#### 4: How to use the battery correctly?

The battery is Li-ion battery, if no power, pls immediately charge it. Don't keep the battery with full power or no power for long time. The best way is keep 50% power of the battery to store it.

And if you don't use the PDA for long time, pls pull out the battery from PDA and store it.